



# Installation, Operation & Maintenance Instructions

1000°C - 1200°C Tube furnaces  
types MTF, CTF & GTF

This manual is for the guidance of operators of the above Carbolite products and should be read before the furnace is connected to the electricity supply.

---

## CONTENTS

Section		page
1.0	Introduction	2
2.0	Installation	3
3.0	Operation	5
4.0	Maintenance	7
5.0	Repairs & Replacements	8
6.0	Fault Analysis	11
7.0	Circuit Diagrams	12
8.0	Fuses & Power Settings	15
9.0	Specifications	16

---

**Manuals are supplied separately for the furnace controller  
(and overtemperature controller when fitted).**

Please read the controller manuals before operating the furnace.



## 1.0 INTRODUCTION

### 1.1 Products Covered

This manual contains installation and operating instructions for two types of single-zone tube furnace.

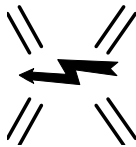
The MTF & CTF ranges have heating elements comprising a ceramic work tube wound with resistance wire.

The GTF range has “modular” heating elements of resistance wire partially embedded in vacuum formed light-weight refractory fibre. The element modules are 182mm long. Usually the end elements (two only) are rated at 1500W maximum, and the centre elements (the remainder) at 1000W.

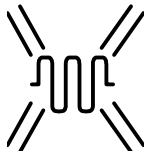
### 1.2 Switches and Lights



Supply Light: when the furnace is connected to the electrical supply the light in the adjacent switch glows

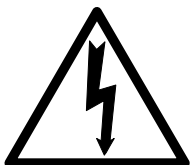


Heat Switch: the switch disconnects power to the heating elements; unless this switch is off there is a danger of electric shock when inserting objects into the furnace



Heat Light: the adjacent light glows or flashes to indicate that power is being supplied to the elements

### 1.3 Warning Symbols



DANGER of electrical shock– read any warning printed by this symbol.



DANGER – hot surface. Read any warning printed by this symbol.  
WARNING: all surfaces of a furnace may be hot.



DANGER – read any warning printed by this symbol.

## 2.0 INSTALLATION

### 2.1 Unpacking & Handling

When unpacking or moving the furnace always lift it by its base or by both ends of the main body. Never lift it by its work tube or the surrounding insulation. For the larger models, or where the furnace and control box are not fixed together, use two people to carry the furnace.

Remove any packing material from inside the furnace before use.

### 2.2 Siting

Place the furnace in a well ventilated room, away from other sources of heat, and on a surface which is resistant to accidental spillage of hot materials. Do not mount the furnace on an inflammable surface.

Ensure that there is free space around the furnace. Do not obstruct any of the vents in the control section: they are needed to keep the controls cool.

Ensure that the furnace is placed in such a way that it can be quickly switched off or disconnected from the electrical supply - see below.

### 2.3 Setting Up

A furnace ordered for vertical use has a small clip or plate at one end to prevent a wound tube element or a work tube from slipping downwards. Mount the furnace so that this clip is at the bottom. In models with one thermocouple the thermocouple should be near the top rather than the bottom.

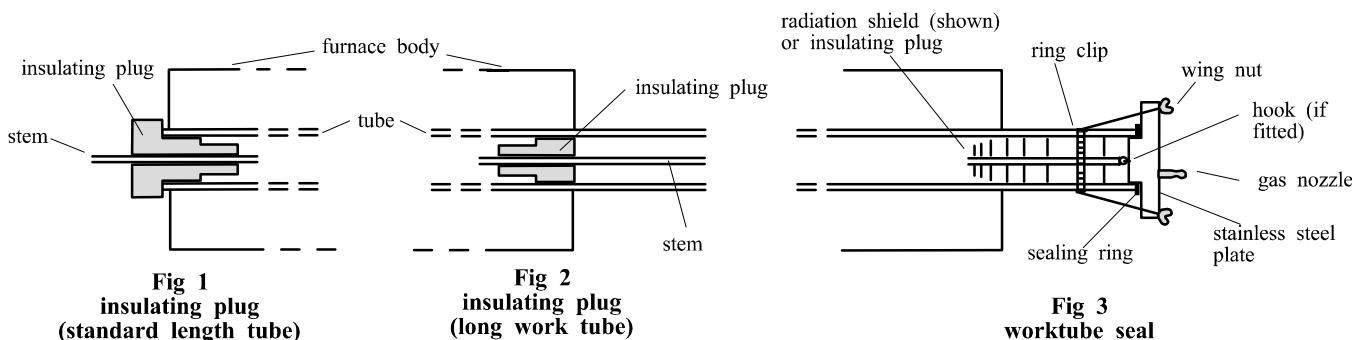
If the furnace is supplied with a separate work tube or any accessories fit these into position.

For optimum temperature uniformity, insulating plugs should be placed in the tube ends as shown in fig.1. With a long work tube, the stem of the plug assembly should line up with the end of the tube as in fig.2. Alignment of radiation shields is similar to that of plugs.

If stainless steel seals with gas inlets are supplied they are to be fitted as shown in fig.3; the stem of any insulating plug should touch the seal. *Stainless steel seals for vertical use:* a hook and eye arrangement holds the upper insulating plug assembly; alternatively a gland nut.

*Horizontal models:* if heavy fittings are to be clamped to the end of an extended work tube they can increase the bending stress at the centre of the tube. Support such fittings in such a way that expansion of the tube is allowed.

If a metal work tube is being used in the furnace, ensure that it is earthed. In the case of wound-tube models (MTF & CTF) it should be mounted so as not to touch the furnace ceramic tube. See the safety warning in section 3.3.



**2.4 Electrical Connections**

*Connection by a qualified electrician is recommended.*

All furnaces covered by this manual may be ordered for single phase A.C. supply, which may be Live to Neutral non-reversible, Live to Neutral reversible or Live to Live. Some models can be supplied for three phase use; some for use on two phases of a three phase with neutral supply (one phase unused).

Check the furnace rating label before connection. The supply voltage should agree with the voltage on the label, and the supply capacity should be sufficient for the amperage on the label.

The supply should be fused at the next size equal to or higher than the amperage on the label. A table of the most common fuse ratings is also given in section 8.1 of this manual. Where a supply cable is present there are internal supply fuses; customer fusing is preferred but not essential.

Furnace with supply cable: either wire directly to an isolator or fitted with a line plug.

Furnace without supply cable: a permanent connection to a fused and isolated supply should be made to the internal terminals after temporary removal of the furnace back panel.

Connection by line plug: the plug should be within reach of the operator, and should be quickly removable.

Connection to isolating switch: this should operate on both conductors (single phase) or on all live conductors (three phase), and should be within reach of the operator.

The supply **MUST** incorporate an earth (ground).

CONNECTION DETAILS			<i>supply type</i>	
<b>Supply</b>	<b>Terminal label</b>	<b>Cable colour</b>	<i>Live-Neutral</i>	<i>Reversible or Live-Live</i>
<b>1-phase</b>	L	Brown	To live	to either power conductor
	N	Blue	To neutral	to the other power conductor
	PE	Green/Yellow	To earth (ground)	to earth (ground)
<b>supply</b>	<b>Terminal label</b>	<b>Cable colour</b>		
<b>2- or 3-phase</b>	L1	Black	to phase 1	
	L2	Black	to phase 2	
	L3	Black	to phase 3 <i>except 2-phase</i>	
	N	Light Blue	to neutral <i>except delta</i>	
	PE	Green/Yellow	to earth (ground)	

DO NOT connect a furnace ordered for three phase use to a single phase supply or to the wrong type of three phase supply.

**2.5 “Universal Wiring”**

*From Year 2000, applicable to GTF models which are available as three-phase.*

These models, when ordered for 3-phase supply, are supplied in a form in which they can be easily rewired between 1-phase and 3-phase supplies. This applies to 3-phase+N and 3-phase delta in the ranges 380/220V–415/240V and 208-240V, but does not apply to 3-phase star without neutral (e.g 380V).

To alter the configuration, remove the back panel and alter the wiring connections between the supply terminal block and the EMC filters, using the appropriate diagram from section 7.7.

Models ordered for single phase only are not affected and cannot be converted to 3-phase.

If in doubt, please consult Carbolite.

### 3.0 OPERATION

*The instructions for operating the temperature controller are given in a separate manual.*

*If the furnace is fitted with a time switch, see also the supplementary manual MS03.*

*If cascade control is fitted, see the supplementary manual MS07.*

#### 3.1 Operating Cycle

The furnace is fitted with a combined Supply light and Instrument switch. The light is on whenever the furnace is connected to the supply. The switch cuts off power to the control circuit. There is also a Heater switch which can be used to disconnect power to the elements.

Connect the furnace to the electrical supply. The Supply light should glow .

Operate the instrument switch to activate the temperature controller; the **O** position is *off*, the **I** position *on*. The controller becomes illuminated and goes through a short test cycle.

Set the temperature controller to the desired setpoint or program - see the controller manual.

*Overtemperature option only.* If the overtemperature controller has not yet been set as required, set it and activate it according to the instructions in the appropriate manual.

Switch on the Heater switch, located on the instrument panel. Unless a time switch is fitted and is off, the furnace starts to heat up. The Heat light(s) glow steadily at first and then flash as the furnace approaches the desired temperature or a program setpoint.

*Overtemperature option only.* If the overtemperature trip operates then an indicator in the over-temperature controller flashes, and the heating elements are isolated. Find and correct the cause before resetting the overtemperature controller according the instructions supplied.

To switch off power to the heating elements, use the Heater Switch. To switch the furnace off, use both the Heater switch and the Instrument switch. If the furnace is to be left off, isolate it from the electrical supply.

#### 3.2 General Operating Advice

Heating element life is shortened by use at temperatures close to maximum. Do not leave the furnace at high temperature when not required. The maximum temperature is shown on the furnace rating label and on the back page of this manual.

#### 3.3 Operator Safety



The ceramic materials used in furnace manufacture become electrically conductive to some extent at high temperatures. In the GTF models there are partially exposed heating coils in the chamber. DO NOT use any conductive tools within the work tube without isolating it. If a metal work tube is used, it must be earthed (grounded).

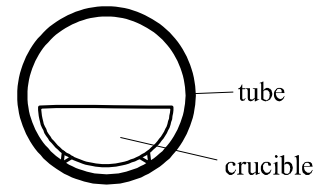


Switch off the Heater switch whenever loading or unloading the furnace. The elements are isolated when the Heater switch is OFF. This switch cuts both sides of the circuit directly or via a contactor (a contactor is used in models where the rated current exceeds 16 Amps).

**3.4 Tube Life**

A ceramic work tube may be cracked if workpieces are inserted too quickly or at temperatures below 900°C (when the tube is more brittle). Large pieces should also be heated slowly to ensure that large temperature differences do not arise.

Poor thermal contact should be encouraged between the workpiece and the tube; crucibles or boats should be of low thermal mass and should have feet to reduce the contact with the tube (fig. 4).



**Fig 4 avoidance of thermal contact**

Do not set too high a heating rate. Large diameter tubes are more susceptible to thermal shock than smaller. Tubes which extend beyond the heated part of the furnace are more at risk. A general rule for maximum heating rate is 400/internal diameter (°C/min); for 75mm i/d tubes this comes to 5°C per minute. The controller can be set to limit the heating rate.

**3.5 Pressure**

Work tubes are not able to accept high internal pressure. When gas seals or similar fittings are in use, the gas pressure should be restricted to a maximum of 0.2 bar (3 psi). A pressure of about half of that should normally be sufficient to achieve the desired flow rate. The customer must ensure that the exhaust path from the tube is not blocked, so that excess pressure does not occur.

**3.6 Power Adjustment**

The furnace control system incorporates electronic power limiting. The power limit parameter  $\square P.H_i$  is accessible to the operator, and can be used to adjust the furnace to the actual supply voltage.

Some models covered by this manual are fitted with 208V elements and are designed for use over the range of voltages 200V-250; the power limit parameter is set accordingly. These models may be relocated to a different voltage within the range: the power limit should be reset to match the voltage. See section 8.2.

To check whether the furnace is a 208V model:

- look at the  $\square P.H_i$  parameter – make a note of the value and compare with section 8.2;
- observe the rating label; if a range of voltages is stated, it is not a 208V multivoltage model;
- if in doubt, check with Carbolite – each product has its own record card.

To alter the power limit

Set the Heater Switch to Off to prevent heating while adjusting the power limit.

Press Page  $\square$  until  $\square P$  (output list) is displayed. Press Scroll  $\curvearrowright$  until  $\square P.H_i$  (Output High) is displayed. Press Down  $\blacktriangledown$  or Up  $\blacktriangle$  once to display the value of  $\square P.H_i$  (it is good practice to write down the original value). To alter the parameter to the desired value use Down  $\blacktriangledown$  or Up  $\blacktriangle$ .

A power setting of zero prevents the furnace from heating: useful for demonstrating the controls without taking power.

Do not increase the power limit simply “to get more power”. The elements could burn out, or a fuse could blow.

**3.7 Running at Low Temperatures**

The power limit may be adjusted to a low level to achieve better control when running the furnace at a low temperature. No hard and fast rules can be given, but, as an example, to run at temperatures only up to 600°C try a power limit of 50%. Control stability may fall off again if a setting below about 40% is used.

Before changing the power limit, record its factory setting for possible future use.

## **4.0 MAINTENANCE**

### **4.1 General Maintenance**

No routine maintenance is required. The outer surfaces may be cleaned with a damp cloth. Do not allow water to enter the interior of the case, tube or control box. Do not clean with organic solvents.

### **4.2 Calibration**

After prolonged use the controller and/or thermocouple could require recalibration. This would be important for processes which require accurate temperature readings or which use the furnace close to its maximum temperature. A quick check using an independent thermocouple and temperature indicator should be made from time to time to determine whether full calibration is required. These items can be supplied by Carbolite.

Depending on the controller, the controller manual may contain calibration instructions.

### **4.3 After Sales Service**

Carbolite's service division (Thermal Engineering Services) has a team of Service Engineers capable of repair, calibration and preventive maintenance of furnace and oven products at our customers' premises throughout the world. We also sell spares by mail order. A telephone call or fax often enables a fault to be diagnosed and the necessary spare part despatched.

Each furnace has its own record card at Carbolite. In all correspondence please quote the serial number, model type and voltage given on the rating label of the furnace. The serial number and model type are also given on the front of this booklet when supplied with a furnace.

To contact Thermal Engineering Services or Carbolite see the back page of this manual.

### **4.4 Recommended Spares Kits**

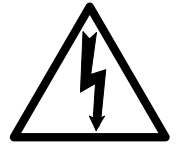
Carbolite can supply individual spares, or a kit of the items most likely to be required. Ordering a kit in advance can save time in the event of a breakdown. Each kit comprises one thermocouple, one solid state relay, and one heating element (GTF: two elements, one of each wattage).

When ordering spares please quote the model details as requested above.

### 5.0 REPAIRS & REPLACEMENTS

#### 5.1 Safety Warning – Disconnection from Supply

Always ensure that the furnace is disconnected from the supply before repair work is carried out.



#### 5.2 Safety Warning - Refractory Fibrous Insulation

This furnace contains refractory fibres in its thermal insulation. These materials may be in the form of fibre blanket or felt, vacuum formed board or shapes, mineral wool slab or loose fill fibre.



Normal use of the furnace does not result in any significant level of airborne dust from these materials, but much higher levels may be encountered during maintenance or repair.

Whilst there is no evidence of any long term health hazards, we strongly recommend that safety precautions are taken whenever the materials are handled.

**Exposure to dust from fibre which has been used at high temperatures may cause respiratory disease.**

**When handling fibre always use an approved mask, eye protection, gloves and long sleeved clothing.**

**Avoid breaking up waste material. Dispose of waste fibre in sealed containers.**

**After handling rinse exposed skin with water before washing gently with soap (not detergent). Wash work clothing separately.**

Before commencing any major repairs we recommend reference to the European Ceramic Fibre Industry Association Bulletin No. 11 and the UK Health and Safety Executive Guidance Note EH46.

We can provide further information on request. Alternatively our service division can quote for any repairs to be carried out at your premises or ours.

#### 5.3 Temperature Controller Replacement

201. This controller is fitted to the back of the control panel; in many models this can be separated from the base by removal of two screws.



Before handling the controller: **wear an anti-static wrist strap** or otherwise avoid any possibility of damage to the unit by static electricity.

Refer to the detailed instructions supplied with the replacement controller.

2132, 2416, 2408 etc. Ease apart the two lugs at the side; grip the instrument and withdraw it from its sleeve; push in the replacement.

#### 5.4 Solid-state Relay Replacement

Disconnect the furnace from the supply and remove the back panel from the base or control box..

Make a note of how the wires are connected to the solid state relay, and disconnect them.

Remove the solid state relay from the base panel or aluminium plate.

Replace and reconnect the solid state relay ensuring that the heat-conducting thermal pad is sandwiched between the relay and the base panel or aluminium plate. Alternatively a thin layer of white, heat-conducting silicon paste may be applied between the new relay and the plate.

The new solid state relay contains a built-in MOV which protects it from short periods of excess voltage. If the old relay had a separate disc-shaped "MOV" connected between the high voltage terminals of the old relay, discard the old MOV.

Replace the removed panel.

## 5.5 Thermocouple Replacement

The coverings and guards which must be removed to gain access to the thermocouple depend on the model, its orientation (horizontal or vertical), and possibly other options and fittings. It will usually be necessary to separate the furnace from its base or stand. On horizontal CTF models one outer end-cap will need to be removed, and on MTF and vertical CTF models the terminal cover. On MTF 10/ models the thermocouple lies inside the furnace body; the body must be removed from the control base, and the end-cap and insulation ring removed from one end.

Disconnect the furnace from the supply, and separate the furnace body and/or remove covers and guards as necessary.

Make a note of the thermocouple connections. The negative leg of the thermocouple is marked blue. Compensating cable colour codings are:

<i>negative</i>	<i>positive (type K)</i>	<i>positive (type N)</i>
white	green	pink

Disconnect the thermocouple from its terminal block.

Withdraw the thermocouple from its sheath and remove any broken bits of thermocouple.

Bend the new thermocouple carefully to match the shape of the original (working from the terminal end). Should the length differ from that of the original this will usually not be important provided that the thermocouple tip is within a tube diameter's distance from the furnace centre.

Insert the new thermocouple into position, restoring any removed porcelain spacers, and ensuring correct polarity.

Re-assemble the furnace.

## 5.6 Element Replacement



*Please see safety note 5.2 - please wear a face mask.*

The coverings and guards which must be removed to enable replacement of the wound tube element depend on the furnace model, its orientation (horizontal or vertical), and other options and fittings. The general procedure is:

Disconnect the furnace from the electrical supply.

Remove all outer guards, meshes and terminal covers from the furnace body. For a horizontally mounted furnace remove the furnace body from its base; to reach the bolts or screws which fix the body to the base, remove the back panel from the base.

Disconnect all electrical leads from the terminal blocks on the furnace case. Note the colours and positions of the connecting leads to enable correct reassembly. Take care not to crack porcelain terminal blocks - use two spanners where appropriate.

Remove the thermocouple. For MTF 10/ models this must be done after removing the end-cap and ceramic fibre disc adjacent to the thermocouple terminal - see below.

Lay the furnace body horizontally with the split in the cylindrical case uppermost. Remove the two metal end-caps from the body. In the case of the CTF & GTF models undo the self-tapping screws which hold the terminal strip to the case join. The case will spring open slightly. Remove the ceramic board disc from one end (the thermocouple end in the case of MTF 10/ models).

*MTF & CTF:* Use a sharp knife to cut right through the insulation down to the wire-wound tube element along the whole length of the body, but do not cut either of the ceramic board end discs. The knife cut must be in line with the element lead wires. Slide the element gently out through the end of the furnace body.

GTF: Cut through the outer wrap of blanket insulation. Note how the element tails are connected and disconnect all of them. Lift out the elements through the end of the cylindrical case.

Check the cylindrical case and clean out as appropriate.

Remove any insulation sleeving from the tails of the old element and fit to the replacement element.

Slide in the new element(s). Close up the furnace again, refitting the terminal strip (where applicable) and the end-caps. Any cut made in the insulation should close up completely: if the insulation appears loose or damaged in any way, please contact our service division.

Reverse the rest of the disassembly process. Take care to make all connections to the correct terminals. Do not overtighten the connectors in porcelain terminal blocks.

Let the furnace heat up at its maximum rate to 900°C without interruption, and then soak for 1 hour. Fumes may be emitted: this should be done in conditions of good ventilation.

Check that the furnace is controlling properly to rule out the possibility that the element failed because of a fault in the control system.

If you have any problems with this procedure, please contact our service division.

### 5.7 **Fuse Replacement**

Fuses are marked on the circuit diagram (section 7.0) with type codes, e.g. F1, F2. A list of the correct fuses is given in section 8.1. *Depending on model and voltage, the different fuse types may or may not be fitted.*

If any fuse has failed, it is advisable for an electrician to check the internal circuits.

Replace any failed fuses with the correct type. For safety reasons do not fit larger capacity fuses without first consulting Carbolite.

The fuses are near the cable entry point, and access is by removal of the back panel of the base or control box.

#### *Note on GTF Elements*

The end and centre elements of GTF models look the same but have different wattages. The two end elements are 1500W, and all the centre elements are 1000W. Ensure that elements are correctly replaced.

**6.0 FAULT ANALYSIS**

**A. Furnace Does Not Heat Up**

- |    |                                     |  |  |
|----|-------------------------------------|--|--|
| 1. | The <b>HEAT</b> light is <b>ON</b>  | → The heating element has failed   | → Check also that the SSR is working correctly   |
| 2. | The <b>HEAT</b> light is <b>OFF</b> | The controller shows a <b>very high temperature</b> or a code such as S.br | → The thermocouple has broken or has a wiring fault  |
|    |                                     | The controller shows a <b>low temperature</b>                              | → The door switch(es) (if fitted) may be faulty or need adjustment   |
|    |                                     |  | → The contactor (if fitted) may be faulty  |
|    |                                     |  | → The SSR could be failing to switch on due to internal failure, faulty logic wiring from the controller, or faulty controller           |
|    |                                     | There are no lights glowing on the controller                              | → The <b>SUPPLY</b> light is <b>ON</b> → The controller may be faulty or not receiving a supply due to a faulty switch or a wiring fault |
|    |                                     |  | → The <b>SUPPLY</b> light is <b>OFF</b> → Check the supply fuses and any fuses in the furnace control compartment                        |

**B. Furnace Overheats**

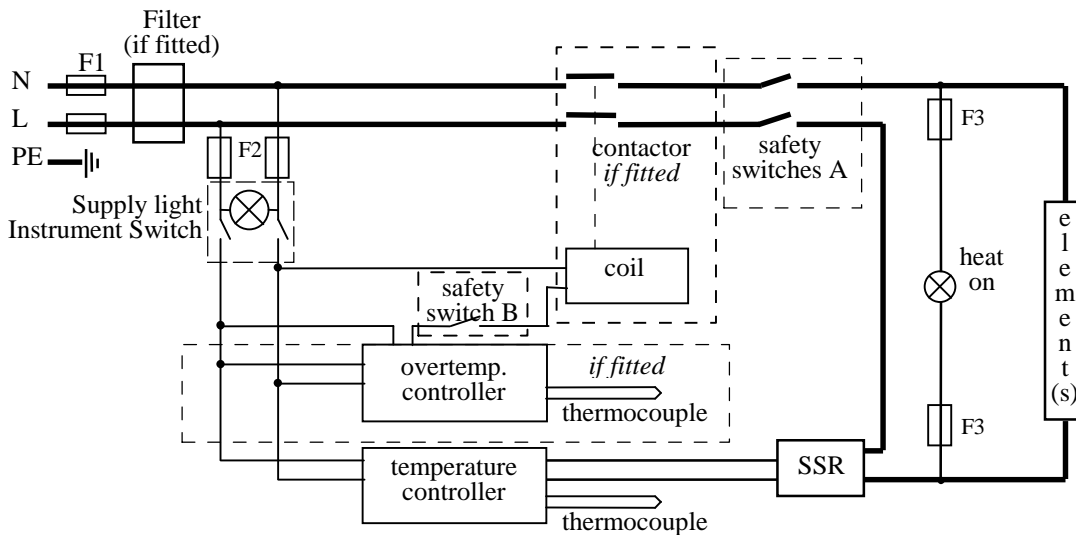
- |    |   |   |  |
|----|---|---|--|
| 1. | The <b>HEAT</b> light goes <b>OFF</b> with the instrument switch        | → The controller shows a <b>very high</b> temperature | → The controller is faulty   |
|    |   | → The controller shows a <b>low</b> temperature       | → The thermocouple may have been shorted out or may have been moved out of the heating chamber |
|    |   |   | → The thermocouple may be mounted the wrong way round  |
|    |   |   | → The controller may be faulty   |
| 2. | The <b>HEAT</b> light <b>does not go off</b> with the instrument switch | → The SSR has failed “ON”                             | → Check for an accidental wiring fault which could have overloaded the SSR                     |

**7.0 CIRCUIT DIAGRAMS**

Safety Switches type A: a 2-pole Heater Switch is fitted directly in the element circuit in models up to 16A rating.

Safety Switch type B: a Heater Switch is fitted into the contactor coil circuit in models over 16A.

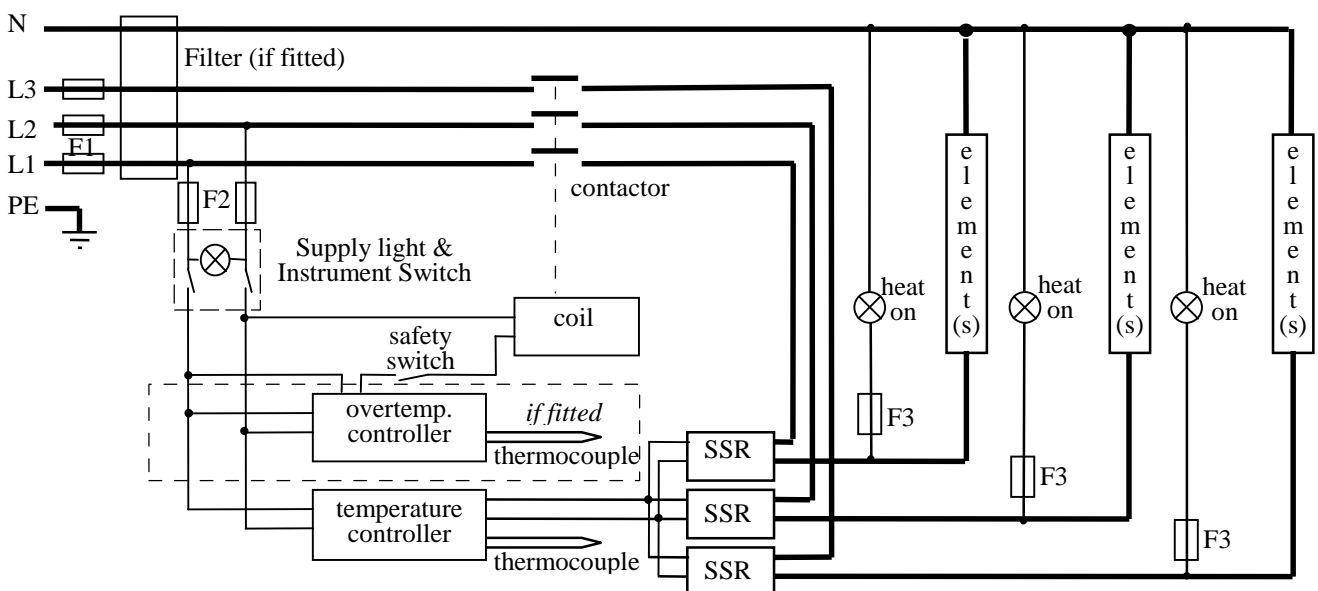
**7.1 Single Phase**



**7.2 2-phase with neutral**

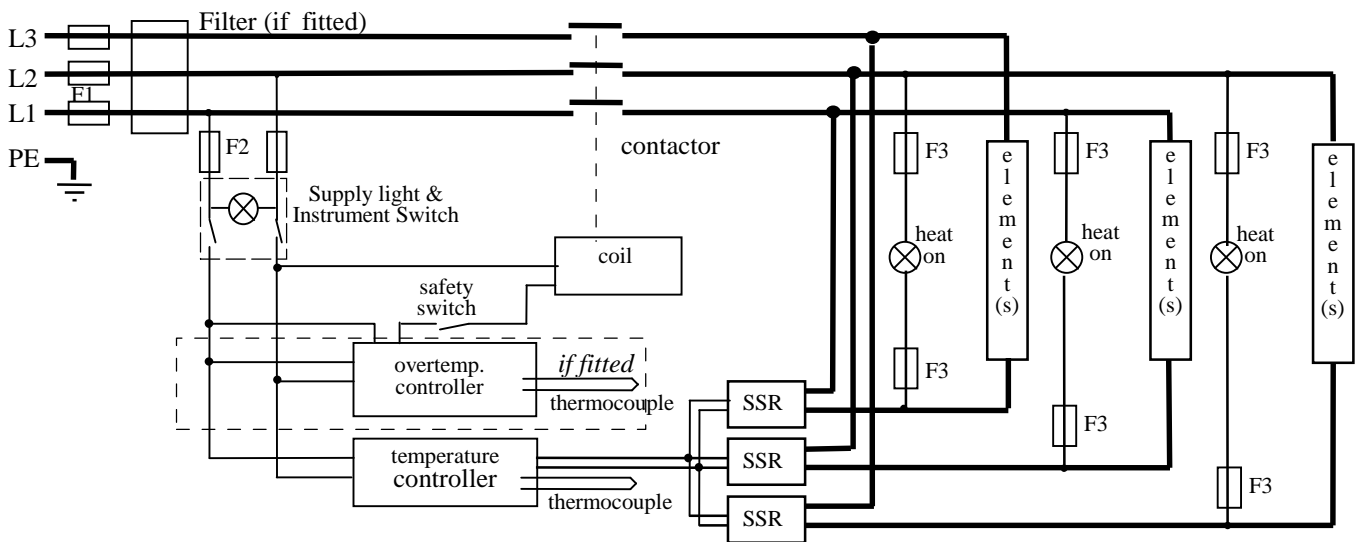
As 3-phase, with phase L3 not present, and with two SSRs and element circuits. In models up to 25A safety switches type A are fitted in the L1 and L2 circuits instead of type B in the contactor coil circuit.

**7.3 3-phase with neutral**

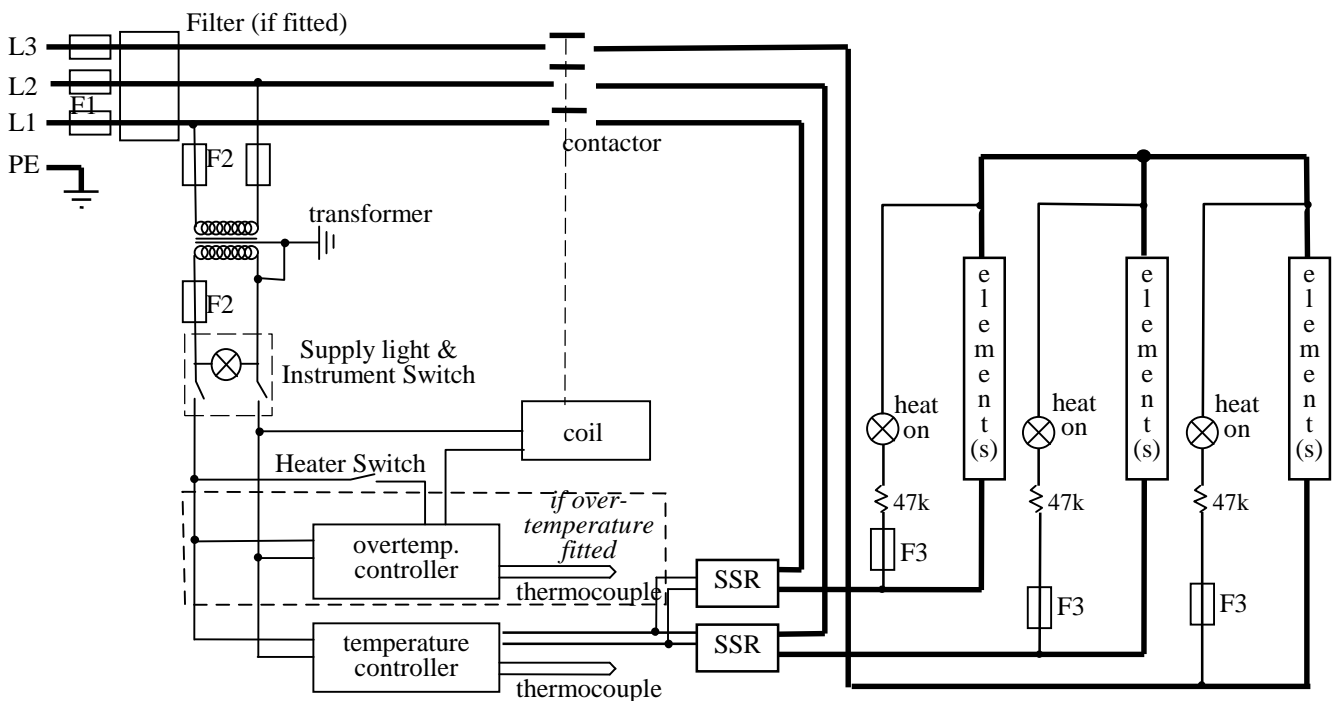


note on 3-phase: depending on filter(s) fitted, there may be 3 separate neutral wires from the elements to the neutral supply.

**7.4 3-phase without neutral (delta)**



**7.5 3-phase without neutral (star – e.g. 380 to 415V)**



Note: in this configuration the fuses F2 on the supply side of the transformer may be GEC Safeclip, not 32 x 6mm glass as stated in section 8.1.

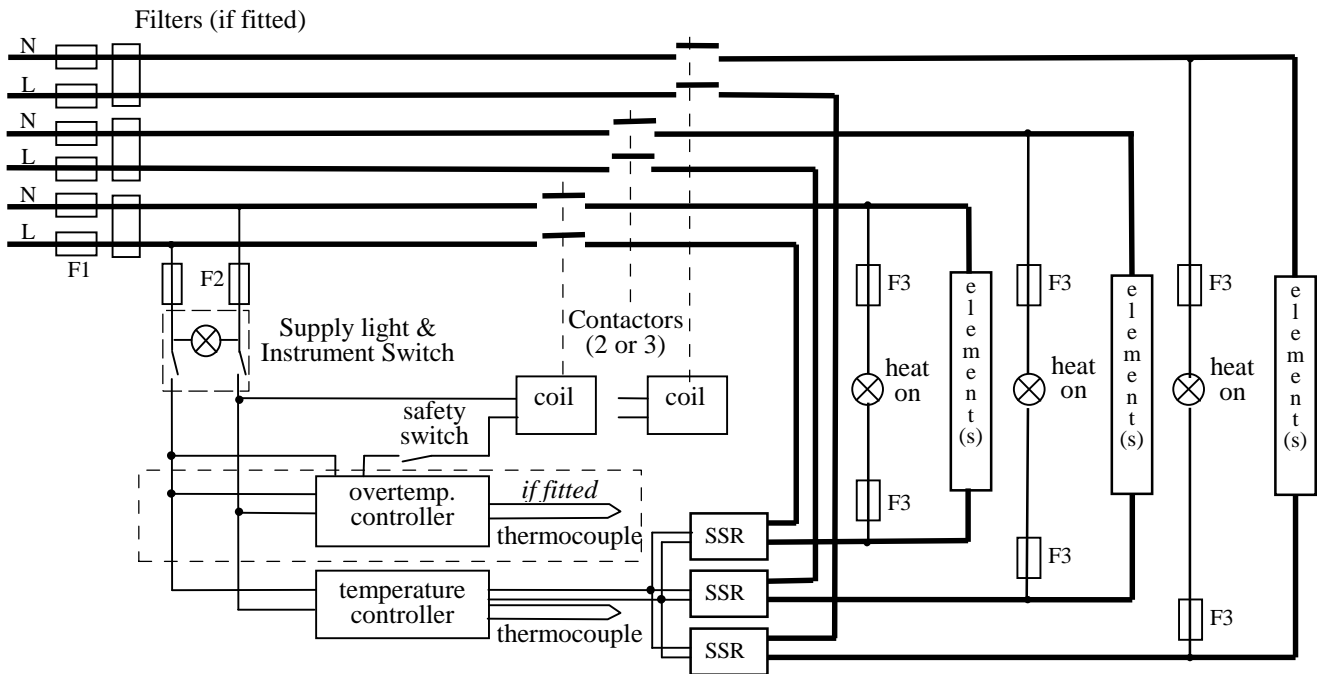
**7.6 Higher Voltages (e.g. 254V; 440V, 480V 3-phase)**

The diagram above (7.5) normally applies, with neutral (if present) not being used.

For single phase models of 254V or above, diagram 7.1 applies except that a control circuit transformer is included as in diagram 7.5.

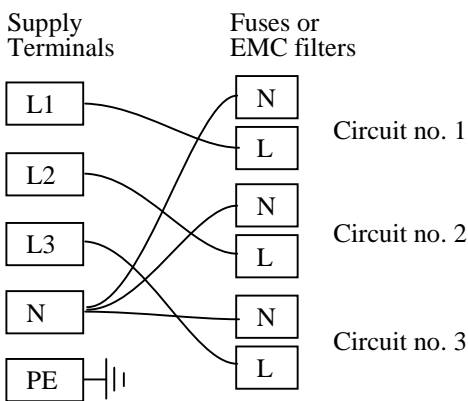
7.7 3-phase “universal” wiring

Applicable to certain models only: see section 2.5

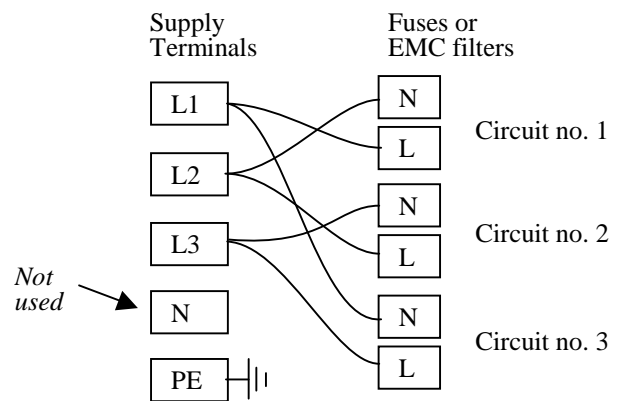


Fuses F1 are always present in this wiring design.  
 Fuses F2 could be absent in some circumstances, if the circuit does not exceed 10A.  
 Fuses F3 are present if the circuit exceeds 25A, but otherwise are usually absent.

3-phase + neutral



3-phase delta



A model made to this diagram can be converted by the customer between the following supply voltages:

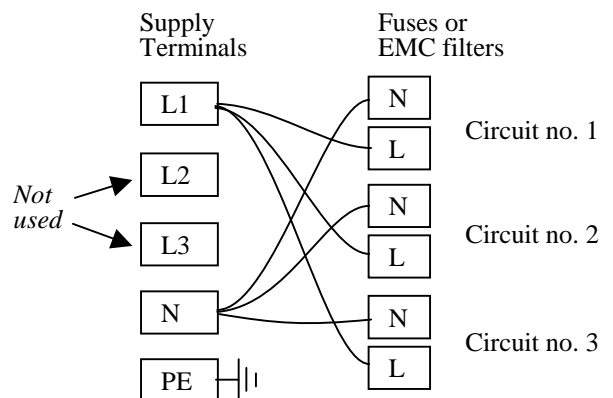
between 3-phase + neutral in the range 380/220V – 415/240V

and 3-phase delta in the range 220V – 240V

and single phase in the range 220V – 240V

208V model: convertible from 208V delta to 208V 1-phase

1-phase



## 8.0 FUSES & POWER SETTINGS

### 8.1 Fuses

*F1-F3: Refer to the circuit diagrams.*

<i>F1</i>	Internal supply fuses	Fitted if supply cable fitted. Fitted on board to some types of EMC filter.	up to 16 Amps: 32mm x 6mm type F other: GEC Safeclip
<i>F2</i>	Auxiliary circuit fuses	Fitted on board to some types of EMC filter. May be omitted up to 10 Amp/phase supply rating.	2 Amps glass type F On board: 20mm x 5mm Other: 32mm x 6mm
<i>F3</i>	Heat Light fuses	May be omitted up to 25 Amp/phase supply rating.	2 Amps glass type F 32mm x 6mm
	<b>Customer fuses</b>	Required if no supply cable fitted. Recommended if cable fitted.	See rating label for amperage; see table below for fuse rating.

All single-phase models listed as 16A or below are fused internally at the listed level, but are fitted with a supply cable rated at 16A (10A for MTF 10/ models). The customer should fuse the supply at least at the listed level, and at most at 16A (or 10A for MTF 10/).

model	120V models	240V models (standard)				208V models (USA)	
	1-ph	1-ph	2-ph+N 380-415	3-ph+N 380-415	3-ph delta	1-ph	3-ph delta
MTF 10/15/130	5A	5A	-	-	-	5A	-
MTF 10/25/130	5A	5A	-	-	-	5A	-
MTF 12/25/250	7A	5A	-	-	-	5A	-
MTF 12/25/400	10A	5A	-	-	-	5A	-
MTF 12/38/250	10A	5A	-	-	-	5A	-
MTF 12/38/400	15-16A	7A	-	-	-	7A	-
MTF 12/38/850	25A	12.5A	-	-	-	12.5A	-
CTF 12/65/4550	20A	10A	5A	-	-	10A	-
CTF 12/75/700	25A	12.5A	7A	-	-	15-16A	-
CTF 12/100/900	-	25A	12.5A	-	-	25A	-
GTF 12/364	-	12.5A	7A	-	-	10A	-
GTF 12/546	-	240V: 20A 230V: 16A	-	7A	10A	12.5A	12.5A
GTF 12/728	-	20A	10A	10A	15-16A	25A	15-16A
GTF 12/910	-	25A	12.5A	12.5A	20A	30-32A	20A
GTF 12/1092	-	30-32A	15-16A	12.5A	20A	40A	25A

*other models or voltages: check the rating label for details of the supply.*

### 8.2 Power Settings

Model	Volts:	200V	208V	220V, 380V	230V, 400V	240V, 415V
all 208V models		100	100	89	82	75
MTF 12/38/850		100	100	89	82	75
CTF 12/100/900	see 208V			100	91	84
GTF 12/910				100	100	92
all other models				100	100	100
<i>special order model</i>						

## 9.0 SPECIFICATIONS

Carbolite reserves the right to change specifications without notice.

### 9.1 Models Covered by this Manual

MODEL	Max. Temp. (°C)	Max. Power (kW)	Work Tube Bore (mm)	Work Tube Length (mm)	Heated Length (mm)	Uniform Zone Length <sup>1</sup> (mm)	Net Weight <sup>2</sup> (kg)
<i>Tube furnaces with a ceramic work tube wound with resistance wire</i>							
MTF 10/15/130	1000°C	0.4	15	150	130	30	3
MTF 10/25/130	1000°C	0.4	25	150	130	40	3
MTF 12/25/250	1200°C	0.7	25	300	250	80	10
MTF 12/25/400	1200°C	1.0	25	450	400	130	15
MTF 12/38/250	1200°C	1.0	38	300	250	90	10
MTF 12/38/400	1200°C	1.5	38	450	400	140	15
CTF 12/65/550	1200°C	2.0	65	600	550	260	25
CTF 12/75/700	1200°C	3.0	75	750	700	350	28
CTF 12/100/900	1200°C	4.5	100	950	900	375	35
<i>Tube furnaces with modular vacuum formed elements with embedded resistance wire</i>							
GTF 12/364	1200°C	3	170max	550/1000 <sup>(3)</sup>	364		40
GTF 12/546	1200°C	4	170max	750/1200 <sup>(3)</sup>	546		45
GTF 12/728	1200°C	5	170max	900/1400 <sup>(3)</sup>	728		50
GTF 12/910	1200°C	6	170max	1100/1600 <sup>(3)</sup>	910		55
GTF 12/1092	1200°C	7	170max	1300/1800 <sup>(3)</sup>	1092		60
<i>also models based on the above, but of other diameters or lengths, supplied to special order</i>							

note 1: The figures for uniform zone length are for  $\pm 5^\circ\text{C}$  and are based on measurements with the furnace horizontal and fitted with insulating plugs in both tube ends.

note 2: Weights are approximate for horizontal models and do not include fittings or vertical stands.

note 3: GTF tubes: recommended lengths for types C / D tubes are shown  
(C = no fittings; D = long enough for gas fittings etc.).

### 9.2 Environment

The furnaces contain electrical parts and should be stored and used in indoor conditions as follows:

temperature: 5°C - 40°C  
relative humidity: maximum 80% up to 31°C decreasing linearly to 50% at 40°C

The products covered in this manual are only a small part of the wide range of ovens, chamber furnaces and tube furnaces manufactured by Carbolite for laboratory and industrial use. For further details of our standard or custom built products please contact us at the address below, or ask your nearest stockist.

*For preventive maintenance, repair and calibration of all Furnace and Oven products, please contact:*

#### Thermal Engineering Services

Telephone: UK: 0845 3308035 Int: +44 1433 623335  
Fax: UK: 0845 3308036 Int: +44 1433 623336  
Email: service@thermalservice.com



MF03-3.08

11/11/03

MTF

Carbolite, Parsons Lane, Hope, Hope Valley, S33 6RB, England.

Telephone: (01433) 620011

Int: +44 1433 620011

Facsimile: (01433) 621198

Int: +44 1433 621198

E-mail: info@carbolite.com