



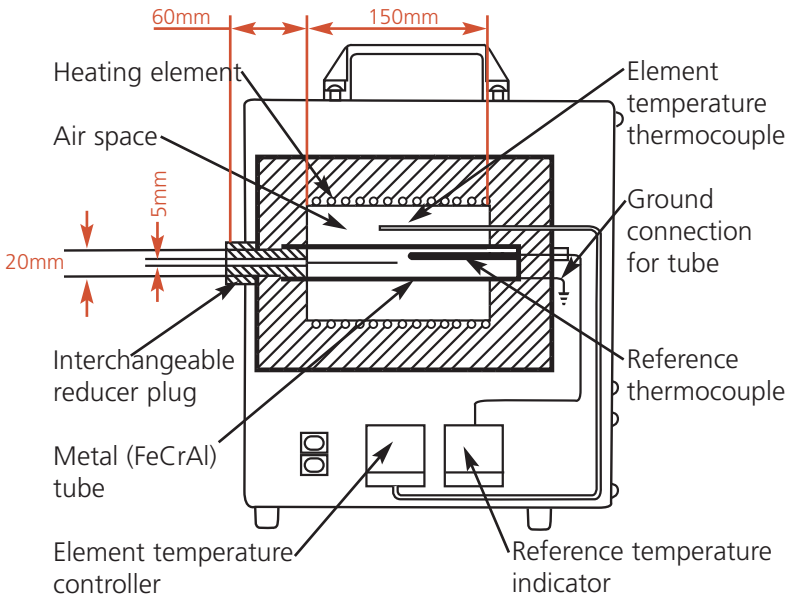
1200°C Thermocouple Calibration Furnace



PTC 12/20/150

General Features

- A unique thermocouple calibration furnace that is intended for applications where portability is an attraction.
- Calibrate most types of thermocouples up to 1200°C.
- Accepts thermocouples up to 7.5 mm diameter.
- The PTC 12/20/150 thermocouple calibration furnace is designed for calibration by the comparison method.
- This method compares the thermocouple under test with a reference thermocouple combined with reference temperature indicator.
- The built-in reference temperature indicator will provide temperature readout in 1° resolution.
- Thermocouples being calibrated must be connected to a customer supplied readout or the optional Carbolite Independent Temperature Readout.
- This readout temperature can be checked against the reference temperature, and any error used to correct all readings taken by the thermocouple being calibrated.
- A Carbolite calibration certificate stating temperature error between work space temperature and indicated temperature at 700°C and 1100°C is provided with furnace.
- The high conductivity of the alloy work tube assures excellent thermal uniformity within the calibration work zone.
- Furnace calibration work zone temperature is precisely controlled by PID instrument incorporating the latest temperature control technology.
- Insertion of the thermocouple to be calibrated accurately positions its tip adjacent to the reference thermocouple.
- The rapid heat-up and stabilization of PTC 12/20/150 makes it ideal for on site checking of thermocouples with minimum downtime.
- Three insulating end plugs (one each - 1.5 mm dia. hole, 3 mm dia. hole, and solid) are provided with each furnace.



1200°C Portable Thermocouple Calibration Furnace

Furnace Model	Max. Temp. (°C)	Working Temperature Range	Maximum OD TC can be Calibrated	TC Type	Max. Power (kW)	Furnace Voltage	External Dimensions			Shipping Weight (lb.)
							Height	Inches (mm) Length	Depth	
PTC 12/20/150	1200	400°C - 1200°C	7.5mm	N	1.1	120	15.75 (399)	12.25 (310)	9.00 (225)	31